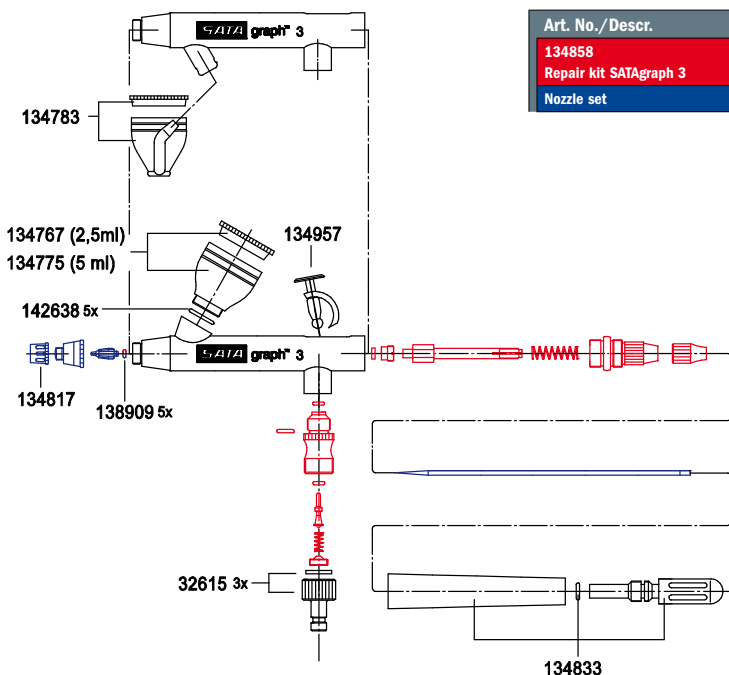
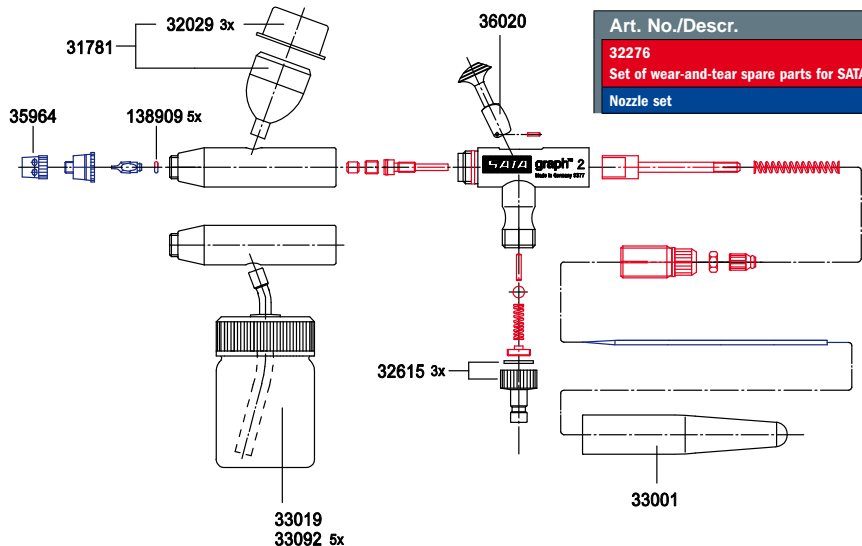
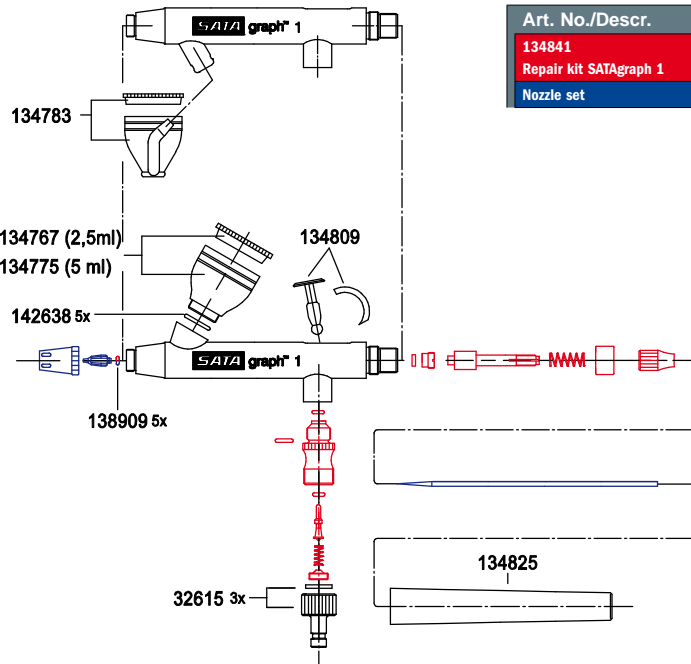


# Spare Parts SATAgaph™ 1/2/3

Art. No./Descr.
<b>SATAgaph 1</b>
32615 Pack of 3 coupling nipples
134767 Gravity flow cup 2.5 ml with lid
134775 Gravity flow cup 5 ml with lid for
134783 Siphon cup 5 ml with lid
134809 Trigger
134825 End piece
138909 O-ring kit for paint nozzle (5 pieces)
142638 O-Ring kit for gravity flow cups (5 pcs.)

Art. No./Descr.
<b>SATAgaph 2</b>
31781 4 ml gravity flow cup with 3 plastic lids
32029 Pack of 3 plastic lids for 4 ml gravity flow cup
32615 Pack of 3 coupling nipples
33001 Grip / end piece
33019 15 ml glass cup and lid with suction pipe
33092 Pack of 5 15 ml glass cups, 5 closing lids and 1 lid with suction pipe
35964 Needle cap
36020 Trigger
138909 O-ring kit for paint nozzle (5 pieces)

Art. No./Descr.
<b>SATAgaph 3</b>
32615 Pack of 3 coupling nipples
134767 Gravity flow cup 2.5 ml with lid
134775 Gravity flow cup 5 ml with lid for
134783 Siphon cup 5 ml with lid
134817 Needle cap
134833 End piece, cpl.
134957 Trigger
138909 O-ring kit for paint nozzle (5 pieces)
142638 O-Ring kit for gravity flow cups (5 pcs.)



All prices are recommended list prices. Errors, technical modifications and printing errors reserved.